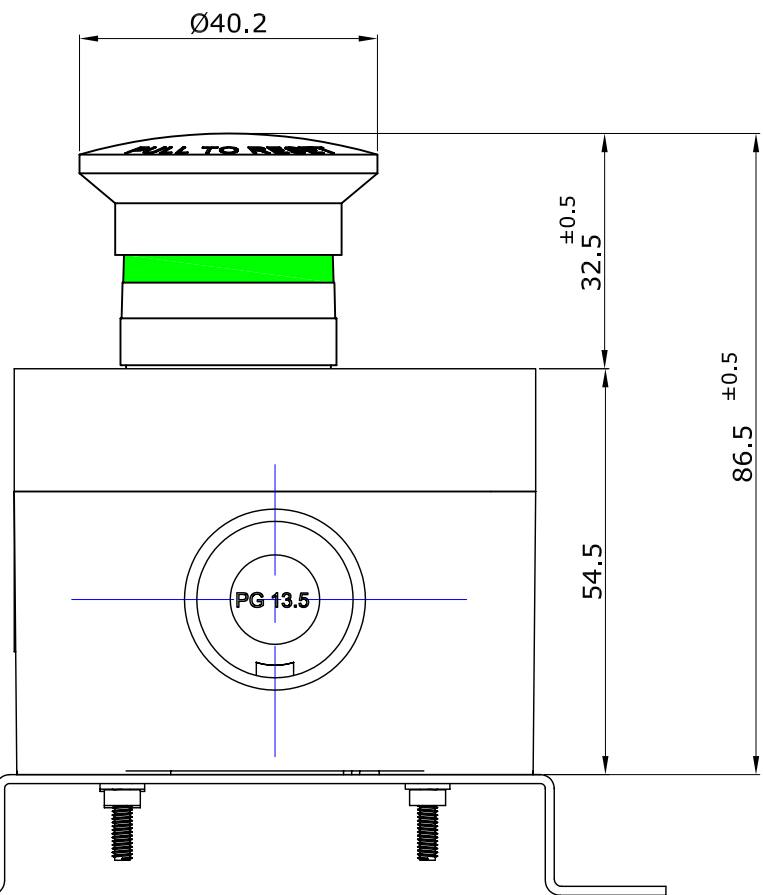
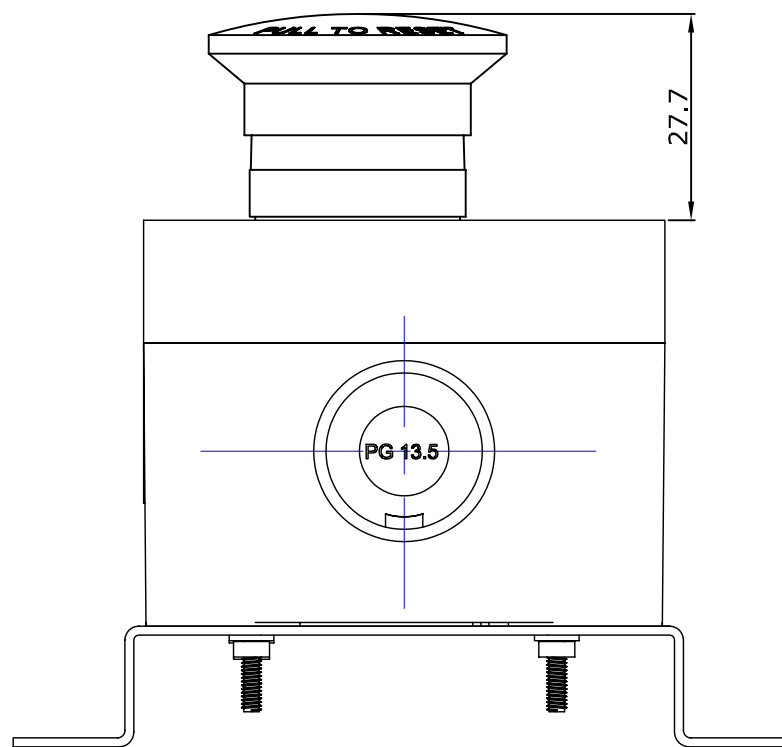


Section A-A

Sr. No.	Description	Colour	Qty.
01	Enclosure Top Cover.	Yellow	01
02	Enclosure Bottom Cover.	Yellow	01
03	Redium Band	Green	01
04	Mushroom Head Push-Pull actuator With FRC & 2 NC Contact	Red	02
05	Half Threaded Screw (M3X27)	Natural	04
06	Gasket	Black	--
07	Tested Ok Sticker	-----	--
08	Mounting Bracket Zinc with Blue Passivation.	-----	01
09	Nut & Bolt Assy. for Bracket (M3 X10)	-----	04



Actuator in Pull Condition



Actuator in Push Condition

GEN. TOL. ±0.5
ALL DIMENSIONS ARE IN mm.

				MATERIAL: ----		ESBEE INDUSTRIAL COMBINES	
				FINISH: ----		PLOT NO. J - 159, M.I.D.C., BHOSARI, PUNE 411 026.	
				COLOUR: ----		SCALE: NTS	
						S.NO: 1 OF 2	
No.	REVISIONS	DATE				TITLE:PRODUCT DRAWING	DRG.NO.: JJJE0000
DGN	AAN	05.10.11	CHD	AAN		PRODUCT: MUSHROOM HEAD PUSH-PULL WITH 2 NC CONTACT BLOCK WITH NEW BASE YELLOW & BRACKET	
DRN	AAN	05.10.11	APD	AAN			

Note: Green colour band visible in Pull Condition Only.

"This is sole property of ESBEE INDUSTRIAL COMBINES and should not be transferred to or shared with anyone without our prior written consent"

PRODUCT SPECIFICATIONS:

01.	Type of Function	PUSH TO STOP PULL TO RESET.
02.	Rated Operational Voltage	Voltage 240 VAC,50 Hz
03.	Rated Operational Current	AC15 :230V,6A,500V 2A,24V-Ith 16A,DC13 :1.5A, 24V DC (IEC-1058-1)
04.	Electrical Life	1,00,000 Cycle.
05.	Mechanical Life	2,00,000 Cycle.
06.	Operating Temperature	-30°C to +60°C .
07.	Storage Temperature	-30°C to 70°C .
08.	HV Test for 60sec.	2.5 KV (ALL TERMINALS SHORTED TOGETHER & BODY.)
09.	Degree Of Protection	IP65 AS PER IEC 60529 Standard.
10.	Rated Insulation Voltage	600 VAC
11.	Terminals	Suitable For Flexible or Solid Conductors Min-1 X 0.5 mm ² , Max- 2 X 1.5 mm ² OR 1 X 2.5 mm ²
12.	mV drop at 16 Amp	100 mV Max
13.	Insulation Resistance	100 MΩ min. (at 500 VDC)
14.	Contact Resistance	25 mΩ max. (Initial Value)
15.	Tightening Torque	0.7 Nm
16.	Contact Material	Silver Nickel
17.	Cable Entries	PG13.5
18.	Contact Type	NC Contact Block with CE Approval & TUV Bauart Mark.
19.	Total Travel of Switch	4.8 mm
20.	Push Force	1.2 to 1.8 Kg
21.	Pull Force	1.8 to 2.8 Kg

VISUAL INSPECTION:

Visual inspection shall be carried with the help of approved sample provided.

A.Surface should be free from scratches and silver streak.

B.Printing should be as per approved sample.

(No peel off during Tape Test) Ink Type : Black,
Aesthetic - For colour shade,Sharpness,cut,tilt,missing . etc

GEN. TOL. ±0.5
ALL DIMENSIONS ARE IN mm.

				MATERIAL: ----		ESBEE INDUSTRIAL COMBINES	
				FINISH: ----		PLOT NO. J - 159, M.I.D.C., BHOSARI, PUNE 411 026.	
				COLOUR: ----		SCALE: NTS	
						S.NO: 2 OF 2	
No.	REVISIONS	DATE				TITLE:PRODUCT DRAWING DRG.NO.: JJJE0000	
DGN	AAN	05.10.11	CHD	AAN		PRODUCT: MUSHROOM HEAD PUSH-PULL WITH 2 NC CONTACT BLOCK WITH NEW BASE YELLOW & BRACKET	
DRN	AAN	05.10.11	APD	AAN			

"This is sole property of ESBEE INDUSTRIAL COMBINES and should not be transferred to or shared with anyone without our prior written consent"